

## Quick Detail:

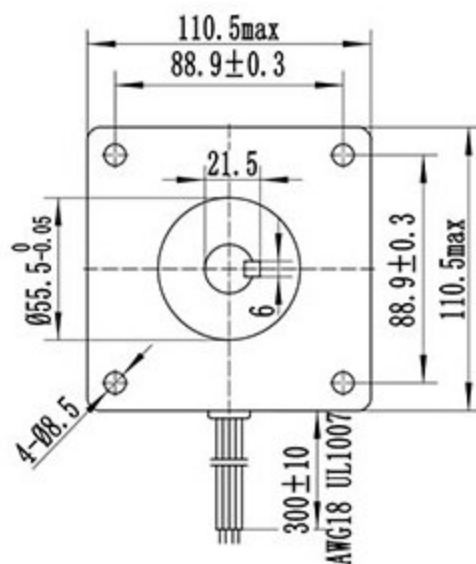
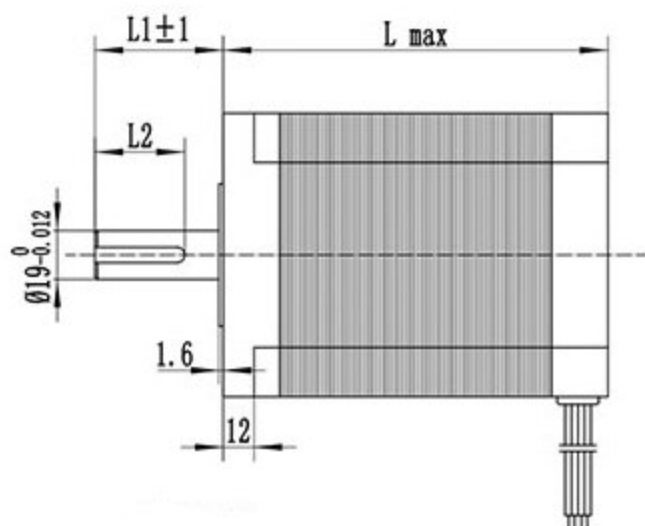
Item	Specifications
Step Angle Accuracy	±5%
Resistance Accuracy	±10%
Inductance Accuracy	±20%
Temperature Rise	80°C Max
Ambient Temperature	-20°C~+50°C
Insulation Resistance	100MΩMin.500VDC
Dielectric Strength	500VAC for one minute
Shaft Radial Play	0.02Max.(450g-load)
Shaft Axial Play	0.08Max.(450g-load)

Model No	Step Angle (°)	Rated Current (A)	Phase Resistance (Ω)	Phase Inductance (mH)	Holding Torque (N.M)	Rotor Inertia (Kg.cm <sup>2</sup> )	Motor Length (mm)	Leads No.	Motor Weight (Kg)
110HS99-5504	1.8	5.5	0.72	10.9	11	108	99	4	5
110HS115-6004	1.8	6	0.44	7.17	12	132	115	4	6.2
110HS150-6504	1.8	6.5	0.72	12.8	20	210	150	4	8.4
110HS168-6004	1.8	6	0.9	16	24	240	168	4	9.8
110HS201-8004	1.8	8	0.71	15.38	33	330	201	4	11.7

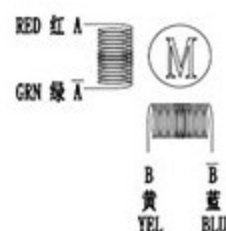
Above only for representative products,products of special request can be made according to the customer request.

### Dimensions

unit=mm



### Wiring Diagram:



4 线 (4 Leads)